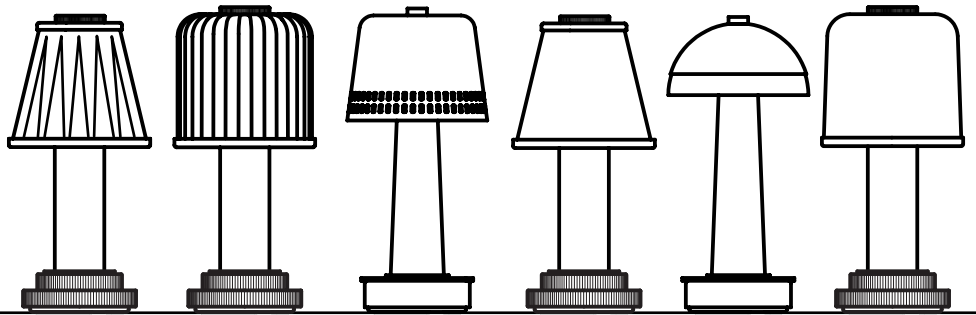


# PORTABLES

User Guide



Bowland  
PT/20/\*

Brera  
PT/12/\*

Ribeira  
PT/16/\*

Marais  
PT/14/\*

Fitzroy  
PT/17/\*

Soho  
PT/10/\*

## Specifications

2W LED / 2700K / 80CRI / IP44

4 step dimming (15%/25%/50%/100%)

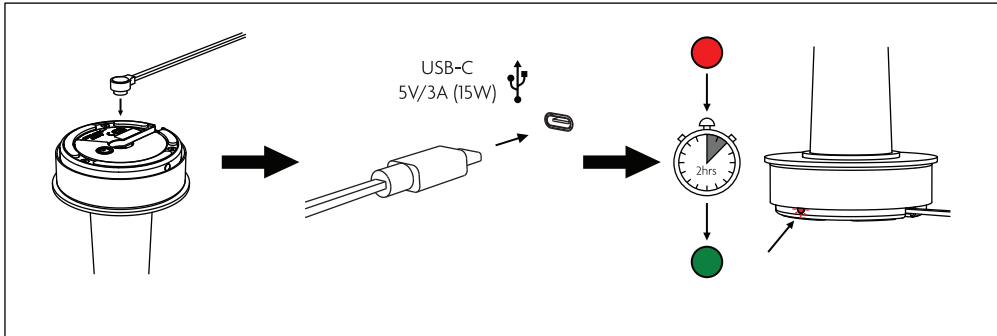
2m 5V/3A USB-C Charging Cable Included

5000mAh 3.7V Battery with fast charge (0-100% in ~2hrs)

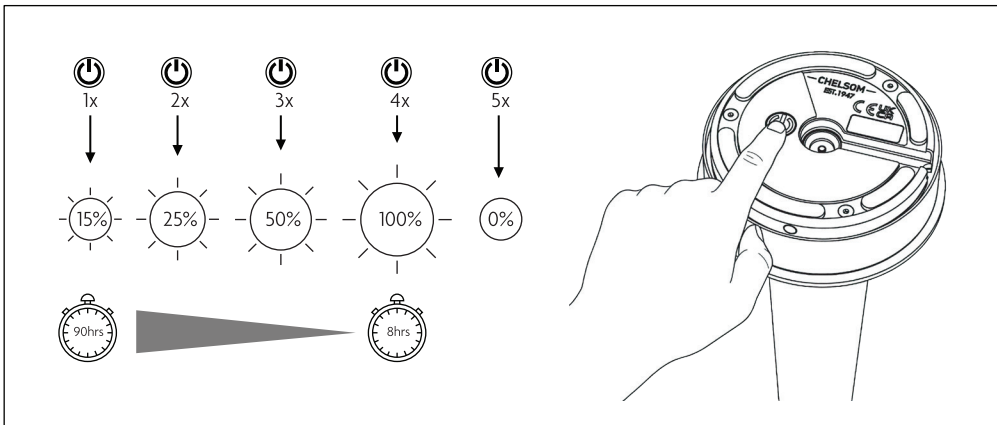
Illumination time @ 100%~8hrs / 15%~90hrs

## Lamp Guide

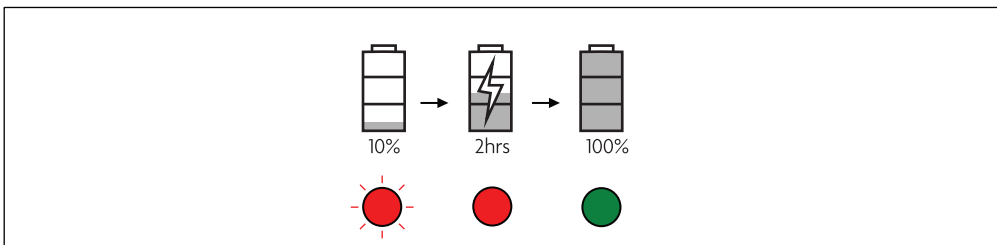
**1. First Use:** Charge the product to full capacity.



**2. Controls:** Push the button on the underside to cycle through the brightness settings.



**3. Battery:** Indicator will flash red when it reaches 10%.



## Lamp Guide

**4. IP44:** The Portables range is IP44 rated. This makes them suitable for use in damp areas such as bathrooms, bar areas and for temporary outdoor use. However, we recommend they are not subjected to rainfall and should be thoroughly dried if wet.

**5. Components and Replacement Parts:** Most components are replaceable should they suffer accidental damage or failure. Batteries can be replaced but please ensure only Chelsom batteries are used. Other components such as fabric, glass or acrylic shades can also be replaced. Please contact the Chelsom customer service team for more details.

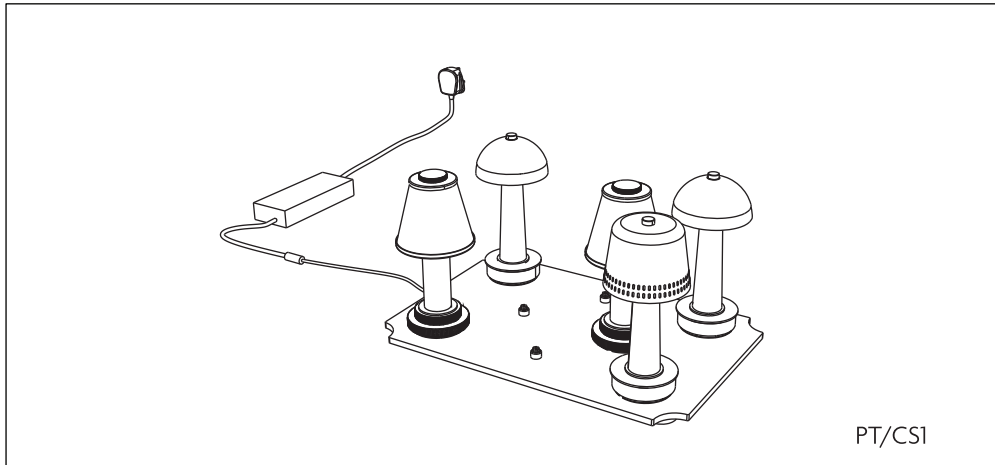
**6. Safety and Charging:** The lamps will need to be recharged once the battery indicator flashes red. Only use Chelsom charging cables provided with the product. USB cable can be plugged in using a mains plug or a third party device such as a laptop. Cables should be replaced should any damage occur. Lamps should be thoroughly dried before charging if wet. Do not charge the battery for longer than 24 hours. Cables can be a trip hazard and keep all parts out of reach of children. Product should be kept in ambient temperature between 10°C to 45°C.

**7. Cleaning Instructions:** Never use strong cleaning agents or abrasives. Only use a damp cloth on metalwork and plastic parts. Use a dry cloth or duster on fabric parts.

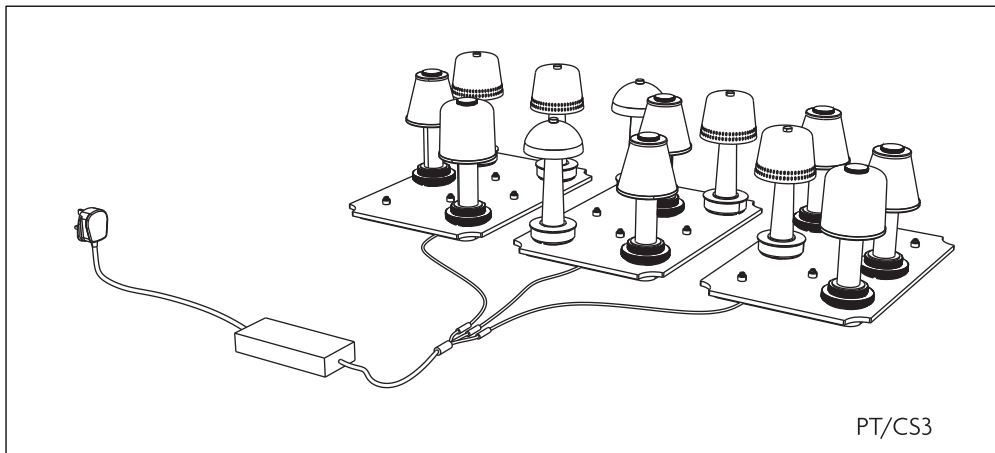
Please contact [sales@chelsom.co.uk](mailto:sales@chelsom.co.uk) should you have any queries.

## Charging Accessories

**1. PT/CS1:** A separate mains-powered charging tray can be ordered to charge 8 lamps simultaneously using this code. The unit is mains powered.

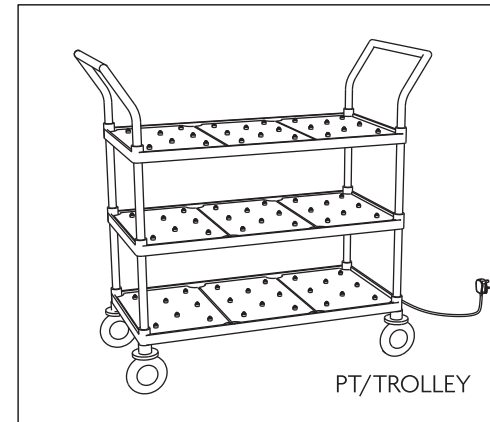


**2. PT/CS3:** 3 trays can be linked to a single mains power supply using this code.

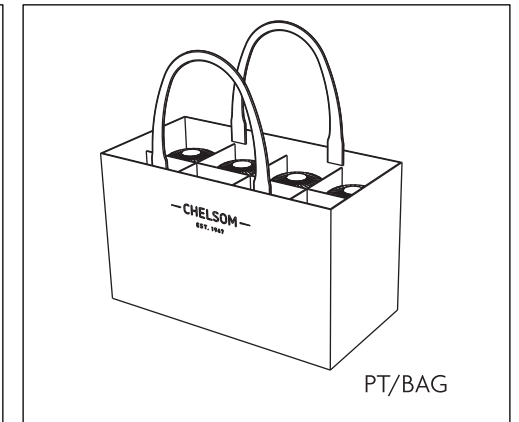


## Charging Accessories

**3. PT/TROLLEY:** A separate trolley can be ordered to take 9 PT/CS1 charging trays for large-scale charging.



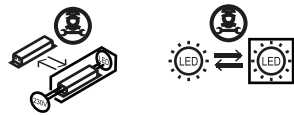
**4. PT/BAG:** A high-quality canvas bag can be ordered to carry 8 lamps at a time.



**5. Safety:** Only use Chelsom charging trays and power supply units to charge the Chelsom Portables collection. Do not use charging trays when lamps are wet and ensure all parts are thoroughly dried before use. Charging units should be replaced should any damage occur. Do not charge the battery for longer than 24 hours. Cables can be a trip hazard. Keep all parts out of reach of children. Product should be kept in ambient temperature between 10°C to 45°C. All charging trays should be placed on a flat surface when in use.

**6. Cleaning Instructions:** Use a dry cloth or duster. Never use strong cleaning agents or abrasives.

Please contact [sales@chelsom.co.uk](mailto:sales@chelsom.co.uk) should you have any queries.



Chelsom Ltd  
Heritage House, Clifton Road, Blackpool, FY4 4QA, UK.  
E: [sales@chelsom.co.uk](mailto:sales@chelsom.co.uk)  
W: [www.chelsom.co.uk](http://www.chelsom.co.uk)